



Fax +32 2 359 95 50

Copies of the I/B. Please reproduce them without any changes except under special instruction from Team International BELGIUM. The pages must be reproduced and folded in order to obtain a booklet A5 (+/- 148.5 mm width x 210 mm height). When folding, make sure you keep the good numbering when you turn the pages of the I/B. Don't change the page numbering. Keep the language integrity. **Print only what is inside the frame.**



KALORIK



Waffle maker

Gofrera

USK WM 30821

120V~60Hz 1000W

www.KALORIK.com



Front cover page (first page)

Assembly page 1/16



Fax +32 2 359 95 50

Copies of the I/B. Please reproduce them without any changes except under special instruction from Team International BELGIUM. The pages must be reproduced and folded in order to obtain a booklet A5 (+/- 148.5 mm width x 210 mm height). When folding, make sure you keep the good numbering when you turn the pages of the I/B. Don't change the page numbering. Keep the language integrity. **Print only what is inside the frame.**



(EN) OPERATING INSTRUCTIONS

IMPORTANT SAFEGUARDS

When using electrical appliances, basic safety precautions should always be followed, including the following :

- 1. READ ALL INSTRUCTIONS**
2. Check that your mains voltage corresponds to that stated on the rating plate of the appliance before using the appliance.
3. Do not touch hot surfaces. Use the handles.
4. To protect against electrical shock do not immerse cord, plug, or the appliance in water or other liquid.
5. Close supervision is necessary when the appliance is used by or near children.
6. Unplug from outlet when not in use and before cleaning. Allow to cool before cleaning the appliance.
7. Do not operate any appliance with a damaged cord or plug or after the appliance malfunctions or has been damaged in any manner. Return appliance to the nearest authorized service facility for examination, repair, or adjustment.
8. The use of accessory attachments not recommended by the appliance manufacturer may cause injuries.
9. Do not use outdoors.
10. Do not let cord hang over edge of table or counter or touch hot surfaces.
11. Do not place on or near a hot gas or electric burner, or in a heated oven.
12. Extreme caution must be used when moving an appliance containing hot oil or other hot liquids.
13. Always attach plug to appliance first, then plug cord into the wall outlet. To disconnect remove the plug from the wall outlet.
14. Do not use appliance for other than intended use.
15. When using this appliance, provide adequate airspace above and on all sides for air circulation. On surfaces where heat may cause a problem, an insulated hot pad is recommended.
16. Do not leave unit unattended during use.
17. Always use the product on a clean, flat, hard, dry surface. There should be no material such as a tablecloth or plastic between



Fax +32 2 359 95 50

Copies of the I/B. Please reproduce them without any changes except under special instruction from Team International BELGIUM. The pages must be reproduced and folded in order to obtain a booklet A5 (+/- 148.5 mm width x 210 mm height). When folding, make sure you keep the good numbering when you turn the pages of the I/B. Don't change the page numbering. Keep the language integrity. **Print only what is inside the frame.**



the unit and surface. A fire may occur if sandwich maker is covered or touching flammable material, including curtains, draperies, walls, and the like, when in operation.

18. It is absolutely necessary to keep this appliance clean at all times as it comes into direct contact with food.
19. Be careful not to scratch the non-stick coating of the cooking plate, as you might get little pieces of this coating into the food. If scraping is necessary, unplug the appliance and use a classical wooden spatula or a heat resistant plastic one.
20. To disconnect the appliance remove the plug from the wall outlet.

SAVE THESE INSTRUCTIONS HOUSEHOLD USE ONLY

POLARIZED PLUG INSTRUCTIONS

Some appliances are equipped with a polarized plug (one blade is wider than the other). To reduce the risk of electric shock, this plug will fit into the polarized outlet only one way. If the plug does not properly fit into the outlet at first, reverse it. If it still does not fit, contact a competent qualified electrician. **Do not attempt to modify the plug in any way.**

For appliances equipped with a standard plug, simply insert the plug into the outlet without paying attention to the way you plug it.

SHORT CORD INSTRUCTIONS

A short power supply cord is provided to reduce the hazards resulting from becoming entangled in, or tripping over a longer cord.

Extension cords may be used if care is exercised in their use.

- The electrical rating of the extension cord should be at least that of the appliance. If the electrical rating of the extension cord is too low, it could overheat and burn.
- The resulting extended cord should be arranged so that it will not drape over the counter top or tabletop where it can be pulled on by children or tripped over.



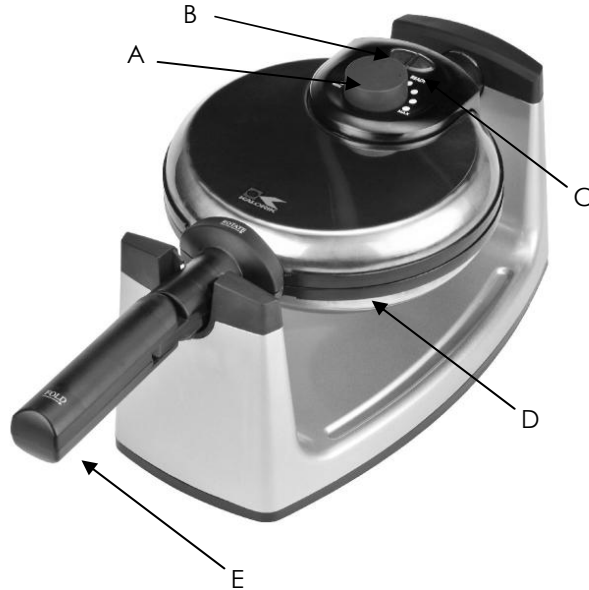
Fax +32 2 359 95 50

Copies of the I/B. Please reproduce them without any changes except under special instruction from Team International BELGIUM. The pages must be reproduced and folded in order to obtain a booklet A5 (+/- 148.5 mm width x 210 mm height). When folding, make sure you keep the good numbering when you turn the pages of the I/B. Don't change the page numbering. Keep the language integrity. **Print only what is inside the frame.**



PART DESCRIPTION

- A. Thermostat adjustmer knob
- B. Red power light
- C. Green temperature pilot light (also on the backside)
- D. Baking plates
- E. Handle
- F. Drip tray (not shown)



OPERATION

- Protective coating burn off will cause smoking on first use. This is NOT harmful and will disappear after a short time.
- When using for the first time, wipe the surface of the plates with a damp cloth, then dry.
- Install the drip tray on the base, under the heating unit
- Close the appliance and plug into the electrical outlet. The red power light will come on to indicate that the appliance is switched on.
- Set the thermostat to the desired position from "MIN" to "MAX" (MAX being the hottest). When the green pilot light goes on, it means that the desired temperature is reached. During use, this pilot light will come on and off regularly. This simply means that the thermostat is regulating the appliance's temperature.
- Caution: during operation, the baking plates heat up. Pay attention not to get burned.
- Open the appliance and lightly brush the plates with butter, margarine or cooking oil.
- Pour the batter evenly onto the middle of the bottom baking plate but not all the way to the edges. Press the lid down in order



Fax +32 2 359 95 50

Copies of the I/B. Please reproduce them without any changes except under special instruction from Team International BELGIUM. The pages must be reproduced and folded in order to obtain a booklet A5 (+/- 148.5 mm width x 210 mm height). When folding, make sure you keep the good numbering when you turn the pages of the I/B. Don't change the page numbering. Keep the language integrity. **Print only what is inside the frame.**



to spread the dough evenly on the baking plates. Do not overfill as dough might come out of the appliance.

- During the baking process, use the handle to turn the appliance upside down from time to time, in order to spread the batter evenly, and to bake and brown both sides of the waffles evenly. (rotate the plates but turning a half turn, clockwise, then after a few minutes, counterclockwise, to spread the batter.
- Note: It is not possible to open the appliance in the upside-down position.
- Bake until golden brown. If necessary, adjust the temperature by turning the thermostat according to the desired browning level needed to bake, and wait until the green pilot light goes out.
- When the waffles are ready, remove them with a plastic or wooden spatula. Never use any sharp metallic objects, as this might damage the non-stick coating.
- When baking is finished, unplug the cord from the socket and leave the appliance open to cool.

WAFFLE RECIPES

SHORTBREAD WAFFLES

14 tbsp butter
1 cup sugar
4 eggs
twist of lemon
1 ½ cup of plain flour

YEAST WAFFLES

3 tbsp yeast
1 cup milk
9 tbsp butter
¼ cup sugar
6 eggs
twist of lemon
pinch of salt
3 cups of plain flour

TRADITIONAL WAFFLES

9 tbsp butter
¾ cup sugar
twist of lemon
pinch of salt
3 eggs
1 cup milk
2 cups of plain flour
1 tsp baking powder



Fax +32 2 359 95 50

Copies of the I/B. Please reproduce them without any changes except under special instruction from Team International BELGIUM. The pages must be reproduced and folded in order to obtain a booklet A5 (+/- 148.5 mm width x 210 mm height). When folding, make sure you keep the good numbering when you turn the pages of the I/B. Don't change the page numbering. Keep the language integrity. **Print only what is inside the frame.**



CRISP WAFFLES

14 tbsp butter
¾ cup sugar
4 eggs
3 cups of plain flour
1 tbsp rum
few drops vanilla essence
2/3 to 3/4 cup water (not milk)

APPLE WAFFLES

11 tbsp butter
1 cup sugar
4 eggs
1 tsp baking powder
2 cups of plain flour
pinch of salt
small pinch of ground cloves
1 tsp cinnamon
2 apples peeled and diced

HOW TO PREPARE A BATTER

- Combine the flour with the baking soda, salt, and sugar,
- If using, in a bowl and make a well in the center.
- Add the egg yolk and milk, and gradually, work into the flour using a whisk.
- Beat gently until smooth.
- Carefully stir in the melted butter.
- In a grease-free bowl, whisk the egg white until stiff and carefully fold into the batter using a large metal spoon.
- Please find above examples of variations of ingredients to create different kind of waffles..

CLEANING

- Before cleaning, unplug and wait for the appliance to cool down.
- Wipe the outside with only a slightly moistened cloth ensuring that no moisture, oil or grease enters the cooling slots.
- Wipe the inside and the edges of the plate with paper towel or a soft cloth.
- Do not clean the inside or outside with any abrasive scouring pad or steel wool as this will damage the finish.
- If there is any batter backed onto the plate, we would advise using vegetable oil to soften it and waiting 5 minutes before removing it.
- **DO NOT IMMERSE IN WATER OR ANY OTHER LIQUID.**



Fax +32 2 359 95 50

Copies of the I/B. Please reproduce them without any changes except under special instruction from Team International BELGIUM. The pages must be reproduced and folded in order to obtain a booklet A5 (+/- 148.5 mm width x 210 mm height). When folding, make sure you keep the good numbering when you turn the pages of the I/B. Don't change the page numbering. Keep the language integrity. **Print only what is inside the frame.**



WARRANTY

We suggest that you complete and return the enclosed Product Registration Card promptly to facilitate verification of the date of original purchase. However, return of the Product Registration Card is not a condition of these warranties. You can also fill this warranty card online, at the following address: www.KALORIK.com

This KALORIK product is warranted in the U.S.A. for 1 year from the date of purchase against defects in material and workmanship. This warranty is not transferable. Keep the original sales receipt. Proof of purchase is required to obtain warranty performance.

During this period, the KALORIK product that, upon inspection by KALORIK, is proved defective, will be repaired or replaced, at Kalorik's option, without charge to the customer. If a replacement product is sent, it will carry the remaining warranty of the original product.

This warranty does not apply to any defect arising from a buyer's or user's misuse of the product, negligence, failure to follow KALORIK instructions noted in the user's manual, use on current or voltage other than that stamped on the product, wear and tear, alteration or repair not authorized by KALORIK, or use for commercial purposes. There is no warranty for glass parts, glass containers, filter basket, blades and agitators, and accessories in general. There is also no warranty for parts lost by the user.

ANY WARRANTY OF MERCHANTABILITY OR FITNESS WITH RESPECT TO THIS PRODUCT IS ALSO LIMITED TO THE ONE YEAR LIMITED WARRANTY PERIOD.

Some states do not allow limitation on how long an implied warranty lasts or do not allow the exclusion of incidental or consequential damages, so the above limitations may not apply to you. This warranty gives you specific legal rights, and you may also have other rights which vary from state to state.



Fax +32 2 359 95 50

Copies of the I/B. Please reproduce them without any changes except under special instruction from Team International BELGIUM. The pages must be reproduced and folded in order to obtain a booklet A5 (+/- 148.5 mm width x 210 mm height). When folding, make sure you keep the good numbering when you turn the pages of the I/B. Don't change the page numbering. Keep the language integrity. **Print only what is inside the frame.**



If the appliance should become defective within the warranty period and more than 30 days after date of purchase, do not return the appliance to the store: often, our Consumer Service Representatives can help solve the problem without having the product serviced. If servicing is needed, a Representative can confirm whether the product is under warranty and direct you to the nearest service location.

If this is the case, bring the product, or send it, postage prepaid by the user (all Kalorik customers are responsible for the initial shipment back to the warranty center), along **with proof of purchase** and indicating a **return authorization number** given by our Consumer Service Representatives, to the authorized KALORIK Service Center (please visit our website at www.KALORIK.com or call our Customer Service Department for the address of our authorized KALORIK Service Center).

If you send the product, please include a letter explaining the nature of the claimed defect.

If you have additional questions, please call our Consumer Service Department (please see below for complete contact information), Monday through Friday from 9:00am - 6:00pm (EST). Please note hours are subject to change.

If you would like to write, please send your letter to:

KALORIK Consumer Service Department

Team International Group of America Inc.
1400 N.W 159th Street, Suite 102
Miami Gardens, FL 33169 USA

Or call:

Toll Free: +1 888-521-TEAM / +1 888-KALORIK

Only letters can be accepted at this address above. Shipments and packages that do not have a return authorization number will be refused.



Fax +32 2 359 95 50

Copies of the I/B. Please reproduce them without any changes except under special instruction from Team International BELGIUM. The pages must be reproduced and folded in order to obtain a booklet A5 (+/- 148.5 mm width x 210 mm height). When folding, make sure you keep the good numbering when you turn the pages of the I/B. Don't change the page numbering. Keep the language integrity. **Print only what is inside the frame.**



(SP) MANUAL DE INSTRUCCIONES

CONSEJOS DE SEGURIDAD

Cuando use algún aparato eléctrico siempre deben seguirse precauciones básicas de seguridad incluyendo las siguientes:

- 1. LEA TODAS LAS INSTRUCCIONES.**
2. Antes de utilizar el aparato, compruebe que el voltaje de la red eléctrica coincide con el indicado en la placa de datos técnicos del aparato.
3. No toque las superficies calientes. Utilice siempre las pegas.
4. Para protegerse contra una descarga eléctrica, no sumerja el aparato, el cable de alimentación o el enchufe en agua o en otros líquidos.
5. Es siempre necesaria la supervisión cercana cuando este aparato esté utilizado cerca de niños. Este aparato no debe ser usado por niños.
6. Desconecte el aparato de la toma de corriente cuando la unidad no se encuentra en uso o antes de limpiarla. Deje enfriar el aparato antes de limpiarlo.
7. No opere este y ningún aparato si el cable o el enchufe están quemados o dañados, o después de que el aparato ha funcionado inadecuadamente o ha sido dañado en cualquier manera. El aparato debe ser reemplazado por el fabricante o por un centro de servicio autorizado o por una persona similar cualificada.
8. El uso de accesorios no recomendados por el fabricante pueden causar lesiones.
9. No use en exteriores
10. No permita que el cable cuelgue del borde de la mesa o del mostrador o toque las partes calientes.
11. No coloque este aparato cerca de quemadores de gas o eléctricos, o dentro de un horno caliente.
12. Tenga mucho cuidado cuando desplace un aparato lleno de aceite caliente u otros líquidos calientes.



Fax +32 2 359 95 50

Copies of the I/B. Please reproduce them without any changes except under special instruction from Team International BELGIUM. The pages must be reproduced and folded in order to obtain a booklet A5 (+/- 148.5 mm width x 210 mm height). When folding, make sure you keep the good numbering when you turn the pages of the I/B. Don't change the page numbering. Keep the language integrity. **Print only what is inside the frame.**



13. Enchufe siempre primero el cable al aparato y después en el enchufe de la red eléctrica. Para desconectar el aparato, desenchúfelo.
14. No use este aparato más que para lo que ha sido diseñado.
15. Asegúrese de que el espacio libre alrededor del aparato esté suficiente mientras esté en funcionamiento, a fin que el aire circule bien. En las superficies donde el calor pueda causar problemas, se recomienda usar un posafuentes aislante.
16. No deje el aparato sin vigilancia mientras esté en uso.
17. Siempre use el producto sobre una superficie limpia, plana, dura y seca. Nunca coloque materiales como por ejemplo un mantel o un plástico entre la unidad y la superficie. Puede ocurrir un incendio si el aparato está en funcionamiento y se encuentra en contacto o cubierto con materiales inflamables, incluyendo cortinas, tapicerías, paredes, etc.
18. Es indispensable guardar el aparato limpio, ya que está en contacto directo con los alimentos.
19. Procure no rallar el revestimiento anti-adherente de la placa de cocción, ya que en caso contrario podría encontrar partículas del revestimiento en la comida. Si es necesario raspar las placas, desenchufe el aparato y utilice sólo una espátula de madera o de plástico resistente al calor.
20. Para desconectar el aparato, desenchúfelo.

GUARDE ESTAS INSTRUCCIONES SOLAMENTE PARA USO DOMESTICO

INFORMACIÓN SOBRE EL ENCHUFE POLARIZADO

Algunos aparatos están provistos con un enchufe polarizado (una pata es más ancha que la otra). Para reducir el riesgo de choque eléctrico, este enchufe calza en el tomacorriente polarizado de una sola manera. Si el enchufe no cabe totalmente en el tomacorriente, gire el enchufe. Si aún así no calza, consulte a un servicio técnico cualificado. **No intente anular esta característica de seguridad.** Para los aparatos provistos con un enchufe clásico, basta con insertar el enchufe en la toma de corriente.



Fax +32 2 359 95 50

Copies of the I/B. Please reproduce them without any changes except under special instruction from Team International BELGIUM. The pages must be reproduced and folded in order to obtain a booklet A5 (+/- 148.5 mm width x 210 mm height). When folding, make sure you keep the good numbering when you turn the pages of the I/B. Don't change the page numbering. Keep the language integrity. **Print only what is inside the frame.**



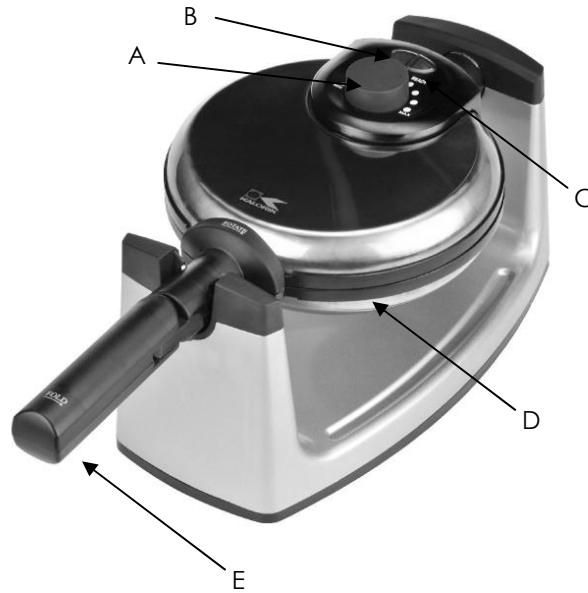
INSTRUCCIONES DEL CABLE

El cable de alimentación del aparato es un cable corto a fin de disminuir el riesgo de accidentes (caídas al tropezar con él, etc.) Puede utilizar una extensión si es necesaria.

- Asegúrese de que el nivel eléctrico del cable es igual o mayor que el indicado. Una extensión con un bajo nivel eléctrico conllevaría el riesgo de sobrecalentarse y de estropearse.
- Para evitar riesgos coloque el cable de forma tal que los niños no puedan jalarlo o tropezar con él.

PARTES

- A. Termostato
- B. Testigo luminoso de funcionamiento
- C. Testigo luminoso de temperatura
- D. Placas de cocción
- E. Asa
- F. Bandeja de goteo (no se ve)



MODO DE EMPLEO

- La primera vez que se enchufa, hace humo y huele. Esto es normal, puesto que en su fabricación se pueden haber adherido grasas que se estén quemando. No está peligroso y desaparecerá rápidamente.
- Cuando utilice el aparato por primera vez, páselo con un paño humedecido y séquelo.



Fax +32 2 359 95 50

Copies of the I/B. Please reproduce them without any changes except under special instruction from Team International BELGIUM. The pages must be reproduced and folded in order to obtain a booklet A5 (+/- 148.5 mm width x 210 mm height). When folding, make sure you keep the good numbering when you turn the pages of the I/B. Don't change the page numbering. Keep the language integrity. **Print only what is inside the frame.**



- Instale la bandeja de goteo en la base, debajo de la unidad de calefacción
- Cierre el aparato y enchufe la clavija a la red eléctrica. El testigo luminoso rojo se encenderá indicando que el aparato está en funcionamiento.
- Regule el termostato en la posición deseada entre "MIN" y "MAX" (siendo MAX la más alta). Cuando el testigo luminoso verde se enciende, indica que la temperatura deseada está alcanzada. Durante el funcionamiento ese testigo luminoso irá enciendo y apagándose regularmente. Ello indica sólo que el termostato está regulando la temperatura del aparato.
- Atención: Durante la utilización, las placas se calientan. Téngalo en cuenta para evitar quemaduras.
- Abra el aparato y unte las placas con un poco de mantequilla, margarina o aceite.
- Eche la mezcla en las placas inferiores pero no en los lados y cierre el aparato. Comprueba que la mezcla esté repartida de manera uniforme. No ponga demasiado mezcla para que no salga por los lados.
- Durante la cocción, dé la vuelta de vez en cuando al aparato para repartir la masa de manera uniforme y para cocer y dorar ambos lados del gofre.
- Deje cocer hasta obtener una gofre dorada. Si necesario, ajuste la temperatura girando el termostato dependiendo del nivel de dorado deseado y espere hasta que el testigo verde se apague.
- Cuando las gofres estén cocidas, retírelas de la placa con una espátula de madera o de plástico. No utilice nunca objetos metálicos que podrían dañar el revestimiento antiadherente.
- Al final de la cocción, desenchufe la clavija de la toma de corriente y deje el aparato abierto para que enfríe.



Fax +32 2 359 95 50

Copies of the I/B. Please reproduce them without any changes except under special instruction from Team International BELGIUM. The pages must be reproduced and folded in order to obtain a booklet A5 (+/- 148.5 mm width x 210 mm height). When folding, make sure you keep the good numbering when you turn the pages of the I/B. Don't change the page numbering. Keep the language integrity. **Print only what is inside the frame.**



RECETAS DE GOFRES

GOFRES "POLVORON"

½ lb de mantequilla
½ lb de azúcar
4 huevos
Rodaja de limón
½ lb de harina

GOFRES DE LEVADURA

0.8 oz de levadura
8.5 fl. oz. de leche
¼ lb de mantequilla
1.7 lb de azúcar
6 huevos
Rodaja de limón
pizca de sal
0.8 lb de harina

GOFRES TRADICIONALES

¼ lb de mantequilla
1/3 lb de azúcar
Rodaja de limón
pizca de sal
3 huevos
8.5 fl. oz. de leche
½ lb de harina
1 cucharadita de levadura
química

GOFRES CRUJIENTES

½ lb de mantequilla
1/3 lb de azúcar
4 huevos
¾ lb de harina
1 cucharadita de ron
algunas gotas de esencia de
vainilla
5-7 fl. oz. de agua (non leche)

GOFRES DE MANZANA

1/3 lb de mantequilla
0.4 lb de azúcar
4 huevos
1 cucharadita de levadura
química
½ lb de harina
pizca de sal
una pequeña pizca de clavos
1 cucharadita de canela
2 manzanas peladas y
cortadas en dados



Fax +32 2 359 95 50

Copies of the I/B. Please reproduce them without any changes except under special instruction from Team International BELGIUM. The pages must be reproduced and folded in order to obtain a booklet A5 (+/- 148.5 mm width x 210 mm height). When folding, make sure you keep the good numbering when you turn the pages of the I/B. Don't change the page numbering. Keep the language integrity. **Print only what is inside the frame.**



PREPARACIÓN DE LA PASTA PARA GOFRES

- Mezclar la harina con la levadura, la sal y el azúcar.
- En la mezcla, hacer un espacio en el centro y añadir las yemas de huevo.
- Añadir poco a poco la leche y vaya mezclandola con la harina con la ayuda de una espátula.
- Mezclar hasta que la pasta sea lisa y suave.
- Añadir lentamente la mantequilla derretida.
- En otro tazón/recipiente no aceitado, batir las claras hasta hacer clara de nieve, y agreguela a la preparación utilizando una cuchara grande de metal o un mezclador de cocina.
- Mas arriba le presentamos variantes y otros ingredientes que le ayudarán a crear diferentes tipos de gofres.

LIMPIEZA

- Desenchufe y deje enfriar el aparato antes de limpiarlo.
- Limpie el exterior del aparato con un paño ligeramente humedecido, asegurándose de que no haya humedad, aceite o grasa que se infiltre en las aeraciones que enfrían el aparato.
- Limpie el interior de su aparato con un papel absorbente o un trapo suave.
- No limpie nunca su aparato (exterior o interior) con productos abrasivos ya que estropearía el revestimiento.
- Si queda masa cocida en la placa, aconsejamos que utilice aceite vegetal para ablandarla y espere 5 minutos antes de quitarla.
- **NO SUMERJA EL APARATO EN AGUA NI EN NINGÚN OTRO LIQUIDO.**





Fax +32 2 359 95 50

Copies of the I/B. Please reproduce them without any changes except under special instruction from Team International BELGIUM. The pages must be reproduced and folded in order to obtain a booklet A5 (+/- 148.5 mm width x 210 mm height). When folding, make sure you keep the good numbering when you turn the pages of the I/B. Don't change the page numbering. Keep the language integrity. **Print only what is inside the frame.**



GARANTÍA

Le sugerimos rellenen y nos envíen rápidamente la Tarjeta de Registro de Producto adjunta para facilitar la verificación de la fecha de compra. Por lo tanto, la devolución de esa Tarjeta de Registro de Producto no es una condición imprescindible para la aplicación de esa garantía. Puede también rellenar dicha tarjeta de garantía en línea en la dirección siguiente: www.KALORIK.com

A partir de la fecha de compra, este producto KALORIK está garantizado un año contra los defectos materiales y de fabricación, en los Estados Unidos. Esta garantía no es transferible. Conserve la prueba de compra original. Se exige una prueba de compra para obtener la aplicación de la garantía.

Durante este período, si el producto KALORIK después de una inspección por parte de KALORIK, se manifiesta defectuoso, será reparado o reemplazado, según lo que decida KALORIK, sin gastos para el consumidor. Si se envía un producto de reemplazo, se aplicará la garantía que queda del producto original.

Esta garantía no se aplica a los defectos causados por una mala utilización por parte del comprador o del usuario, o una negligencia al no respeto del manual de instrucciones KALORIK, o una utilización en un circuito eléctrico cuyo voltaje es diferente al que figura en el producto, o un desgaste normal, o modificaciones o reparaciones no autorizadas por KALORIK, o por un uso con fines comerciales. No existe garantía por las partes de cristal, jarras de cristal, filtros, cestos, cuchillas y accesorios en general. No existe tampoco garantía por las piezas perdidas por el usuario.

Toda garantía de valor comercial o de adaptabilidad a este producto está limitada a un año también.

Algunos estados no ponen límites a la duración de la garantía tácita o no autorizan la exclusión de daños y perjuicios accesorios o indirectos, por lo que puede que las restricciones anteriormente mencionadas no le sean aplicables a Usted. Esta garantía le otorga derechos legales particulares, pero usted puede tener también otros





Fax +32 2 359 95 50

Copies of the I/B. Please reproduce them without any changes except under special instruction from Team International BELGIUM. The pages must be reproduced and folded in order to obtain a booklet A5 (+/- 148.5 mm width x 210 mm height). When folding, make sure you keep the good numbering when you turn the pages of the I/B. Don't change the page numbering. Keep the language integrity. **Print only what is inside the frame.**



derechos que varían de un estado a otro y algunos derechos pueden variar de un estado a otro.

Si el aparato tuviera un defecto durante el periodo de garantía y / o más de 30 días después de que se compró, no devuelva el aparato en la tienda donde le compró: a menudo, nuestro Servicio al Consumidor puede ayudar a resolver el problema sin que el producto tenga que ser reparado. Si hace falta una reparación, uno de nuestros representantes puede confirmar si el producto está bajo garantía y dirigirle al servicio post-venta más próximo.

Si fuera el caso, traiga el producto (o envíelo, correctamente franqueado) con la **prueba de compra** que mencione **el número de autorización de devolución** indicado por nuestro Servicio al Consumidor, al servicio post-venta KALORIK más próximo. (Visite nuestra web www.KALORIK.com o llame al Servicio al Consumidor para obtener la dirección del Servicio post-venta KALORIK exclusivo más próximo).

Si envía el producto, le rogamos añadan una carta explicando la naturaleza del defecto.

Si tiene preguntas adicionales, por favor llame al Servicio al Consumidor (véase abajo para los datos completos), de lunes a viernes, de las 9 a las 18 (EST). Note que las horas pueden ser modificadas.

Si quiere escribirnos, puede hacerlo a la dirección siguiente:

KALORIK Servicio al Consumidor

Team International Group of America Inc.
1400 N.W 159th Street, Suite 102
Miami Gardens, FL 33169 USA

O llame gratuitamente (U.S.A.) al +1 888-521-TEAM / +1 888-KALORIK

Las cartas se aceptan solamente en la dirección anteriormente mencionada. Los envíos y paquetes que no tengan número de autorización de devolución serán rechazados.

